

ELECTO SONIC



ELECTRONIC ULTRASONIC METER

ElecTo SONIC is the ultrasonic meter offering built-in data communication thanks to its innovative electronic register with multi-protocol radio communication facilities. It ensures excellent performance in all installation conditions and is insensitive to the chemical and physical characteristics of water. It is the ideal solution for Utility installations. Its wide 9-character LCD display (digits and symbols) makes it very easy to read, while providing additional information to both users and operators. ElecTo SONIC supports remote data reading with fixed and mobile system, while offering maximum interoperability.

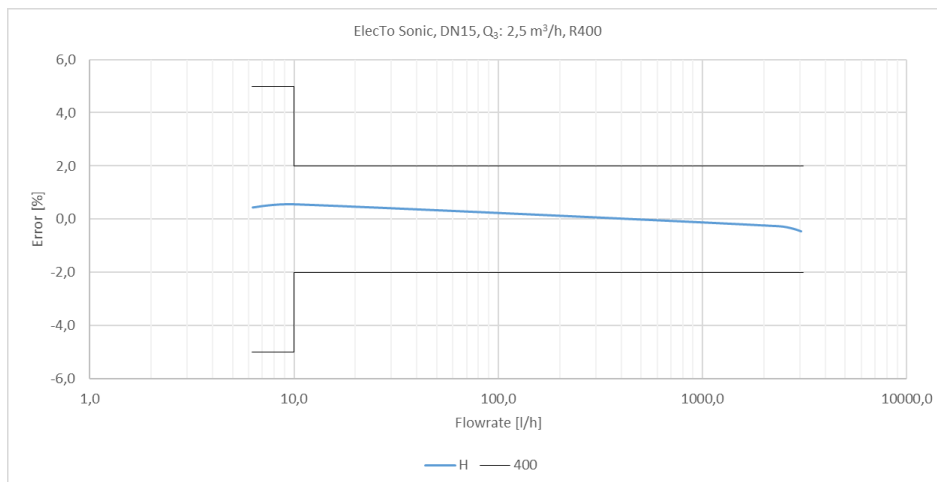
ELECTO SONIC

FEATURES

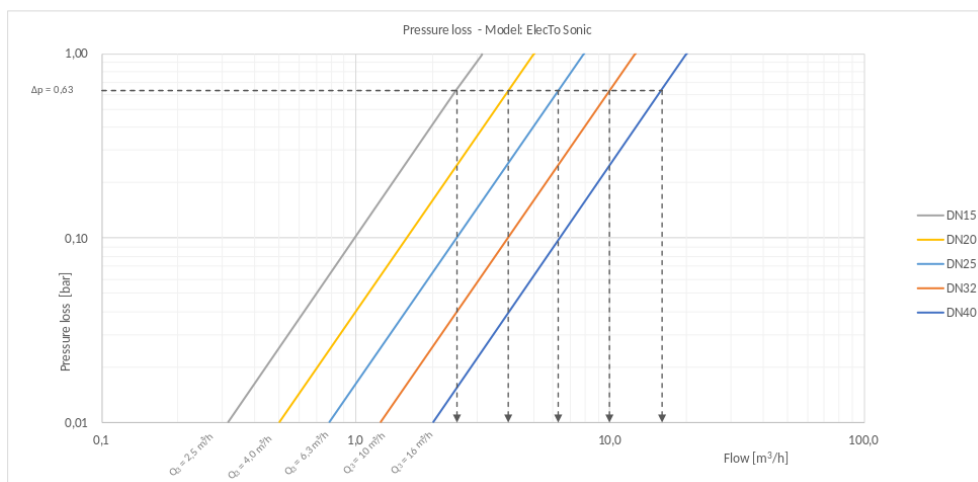
- Ultrasonic measuring technology
- DN: 15 to 40
- MID certificate: R MAX 800
- Health certifications available for a number of countries
- IP68 protection rating
- 9-character display (digits and symbols)
- Datalogging with a storage capacity of over 11,000 values
- Integrated wM-Bus, OMS and/or LoRaWAN radio
- Optimized antenna for maximum radio range
- Lithium battery with a minimum life of 16 years in dual mode (varies depending on the configuration chosen)
- Fault detection: low water temperature, low battery, empty line / air, overconsumption, no consumption, reversed meter, leakage, backflow and expiry of testing period
- Local NFC interface
- Programming and testing kit available upon request
- For further information on electronic register and radio transmission functions, please refer to the instruction manual



TYPICAL ERROR CURVE



HEAD LOSS DIAGRAM



METROLOGICAL PERFORMANCE

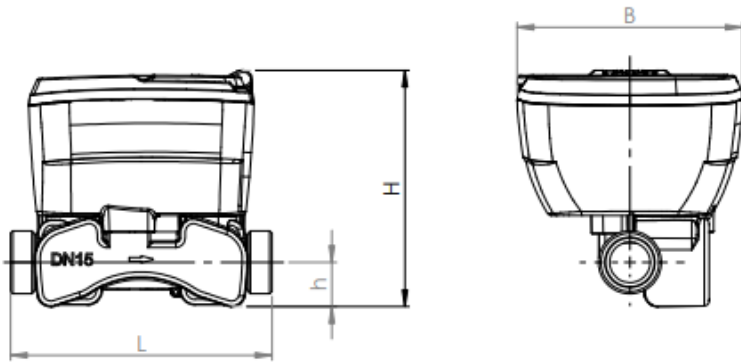
Size	mm	15		20		25	32	40
	in	½		¾		1	1 ¼	1 ½
Module B no.	IT-041-22-2213							
Module D no.	0119-SJ-A010-08							
Q₃/Q₁ = R Referred to installation position		Any ≤ 500	Any ≤ 800	Any ≤ 500		Any ≤ 800		
MID standard performance *								
Q₃	m³/h	1,6	2,5	4,0	6,3	10	16	
Q₄	m³/h	2	3,13	5	7,88	12,50	20	
R		250	400	250	400			
Q₁	l/h	6,40	6,25	10	15,75	25	40	
Q₂	l/h	10,24	10	16	25,20	40	64	

* Other values of R available upon request.

TECHNICAL DATA

Maximum permissible error between Q₁ and Q₂ (excluded)	+/- 5%							
Maximum permissible error between Q₂ (included) and Q₄	+/- 2% with water temperature ≤ 30°C +/- 3% with water temperature > 30°C							
Temperature class	T50							
Flow profile sensitivity classes	U0 - D0							
Starting flow rate	l/h	3		5		7	12	25
Head loss	ΔP63							
Nominal pressure	bar	16						
Maximum reading	m³	999.999						
Minimum reading	l	0,001						
Indicative weight	kg	0,67	0,67	0,76	0,76	1,32	1,55	2,12

DIMENSIONS



Size	mm	15	20	25	32	40
	in	½	¾	1	1 ¼	1 ½
Thread	in	G ¾ B G 1 B	G 1 B	G 1 ¼ B	G 1 ½ B	G 2 B
L	mm	110/165	130/190	160/260		200/300
H	mm	97	101	110	118	127
h	mm	19	21,5	25	29	34
B	mm	94				